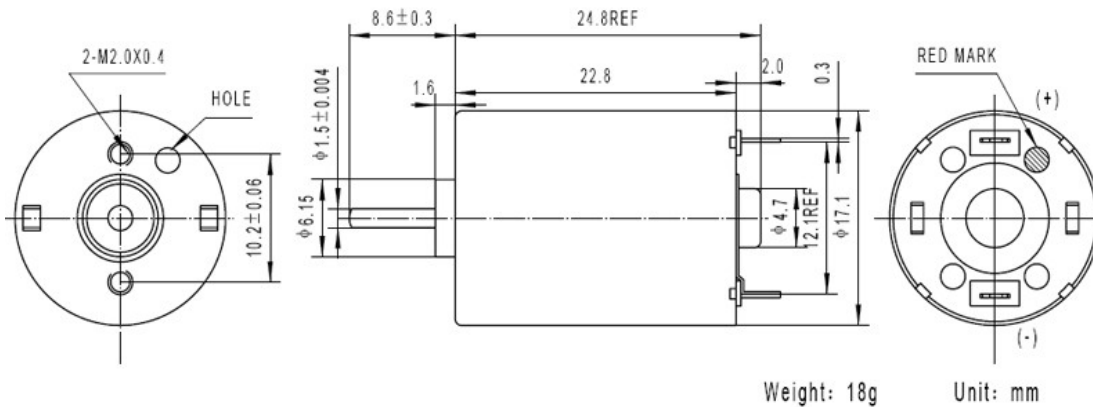


SR-130: dc metal brushed motor

Description

- 1.Size: 17.1*22.8 mm
- 2.Voltage: 3.5V
- 3.Speed: 4700rpm
- 4.Rated torque: 4.9 g.cm
- 5.Specs can be customized for you



Voltage V	No load		At load				Stall	
	Speed/rpm	Current/A	Speed/rpm	Current/A	Torque/g.cm	Power/W	Current/A	Torque/g.cm
3.5	4700	0.028	3700	0.11	4.9	0.19	0.41	24
1.5	9200	0.14	7600	0.66	7	0.55	3.18	43

TEL:+86-755-89480927
 FAX:+86-755-88366423
 Web: www.sonth123.com
 Msn: sonth123@hotmail.com