

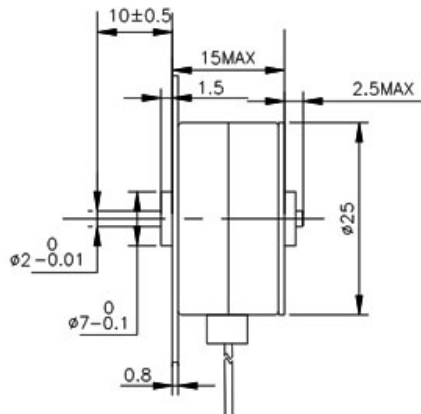
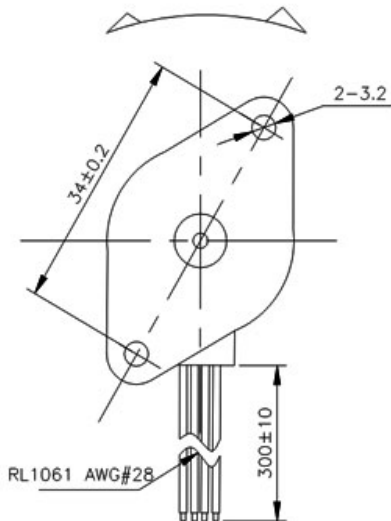
### S25PM: dc stepper motor



#### Description

- 1.Size: 25\*15 mm
- 2.Voltage: 12V
- 3.Step angle: 7.5°
- 4.Phase: 2-2
- 5.Specs can be customized for you

#### DIRECTION OF ROTATION



UNIT:Millimeters      WEIGHT:31g(APPROX)

Voltage V	Step Angle		Starting/pps	Max Frequency		Torque	
	degree	Phase		Response/pps	Resistance/Ω	Pull-in/g.cm	Pull-out /g.cm
12	7.5°	2-2	-	-	50	35	160

TEL:+86-755-89480927  
 FAX:+86-755-88366423  
 Web: [www.sonth123.com](http://www.sonth123.com)  
 Msn: [sonth123@hotmail.com](mailto:sonth123@hotmail.com)