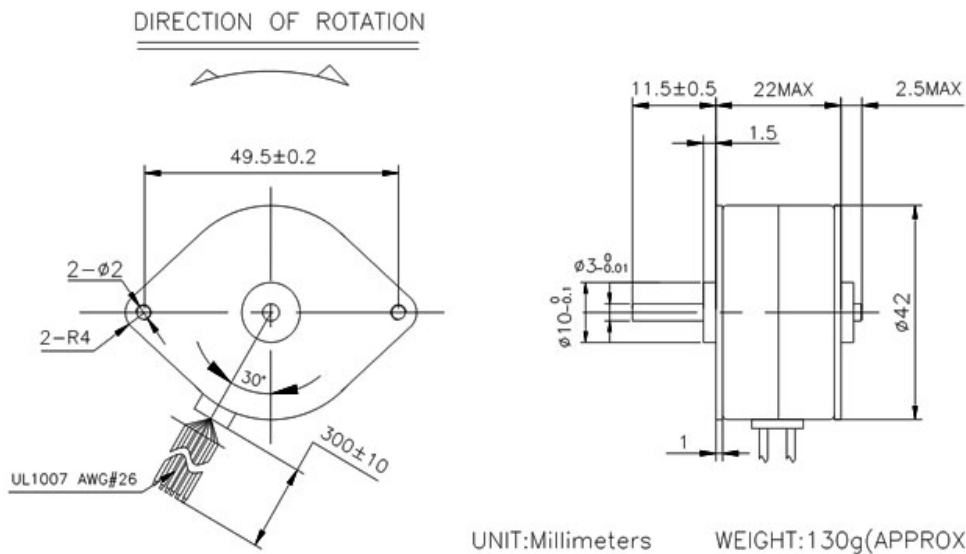


S42PM: dc stepper motor



Description

- 1.Size: 42*22 mm
- 2.Voltage: 12V
- 3.Step angle: 7.5°
- 4.Phase: 2-2
- 5.Specs can be customized for you



Voltage V	Step Angle		Max Frequency			Torque	
	degree	Phase	Starting/pps	Response/pps	Resistance/Ω	Pull-in/g.cm	Pull-out /g.cm
12	7.5°	2-2	-	-	60	125	450

TEL:+86-755-89480927

FAX:+86-755-88366423

Web: www.sonth123.com

Msn: sonth123@hotmail.com